



Engineered  
in Italy

**FULL  
SQUARE**



## FU 330 MV NEXT

Monocrystalline Photovoltaic Module - 60 cells



CE

### GENERAL FEATURES

- **15-year product warranty**
- **High-efficiency full square PERC cells** optimized for low irradiance, decrease ohmic losses and increase the yield
- **Increased power up to 10%** on standard dimensions
- **Higher yield at low irradiance**
- Maximum **resistance against hail** (83 km/h, 2.5 mm)
- Quality control with **electroluminescence (EL) tests** on each module

### CERTIFICATIONS

- > IEC 61215:2016 - IEC 61730:2016 & Factory Inspection
- > Fire Class C as per UL 790

NEW

### GUARANTEES

#### Performance guarantee

Max power decrease **0.5%/year**

97% at the end of first year

**90% at the end of 20<sup>th</sup> year**

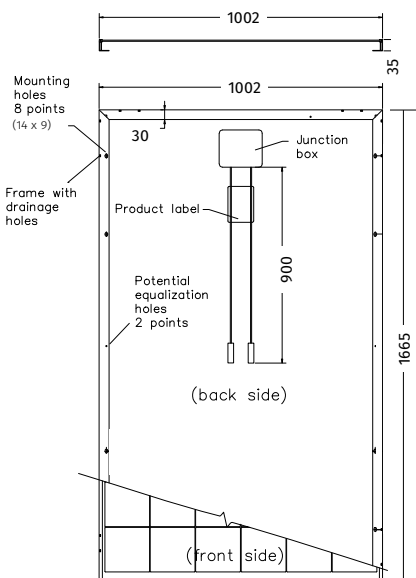
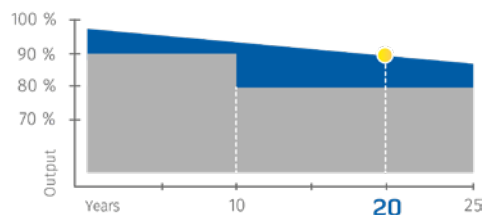
87% at the end of **25<sup>th</sup> year**

#### Product guarantee

**15 YEARS**

Market standard performances

FuturaSun performances



Note: dimensions in mm  
tolerance +/- 2 mm

## ELECTRICAL DATA

MODULE NEXT	FU 330 MV NEXT	
<i>Standard Test Conditions STC: 1000 W/m<sup>2</sup> - AM 1.5 - 25 °C - tolerance: Pmax (±3%), Voc (±4%), Isc (±5%)</i>		
Module power (Pmax)	W	330
Open circuit voltage (Voc)	V	41.66
Short circuit current (Isc)	A	10.04
Maximum power voltage (Vmpp)	V	34.17
Maximum power current (Impp)	A	9.66
Module efficiency	%	19.78

<i>Nominal Module Operating Temperature NMOT: 800 W/m<sup>2</sup> - T=45 °C - AM 1.5</i>		
Module power (Pmax)	W	242.29
Open circuit voltage (Voc)	V	38.43
Short circuit current (Isc)	A	8.26
Maximum power voltage (Vmpp)	V	30.92
Maximum power current (Impp)	A	7.84

## TEMPERATURE RATINGS

Temperature coefficient Isc	%/°C	0.037
Temperature coefficient Voc	%/°C	-0.266
Temperature coefficient Pmax	%/°C	-0.366
NMOT *	°C	45
Operating temperature	°C	from -40 to +85

\* Nominal Module Operating Temperature

## MECHANICAL SPECIFICATIONS

Dimensions	1665 x 1002 x 35 mm
Weight	18.4 kg
Glass	Tempered, ARC, transparent, 3.2 mm
Cell encapsulation	EVA (Ethylene Vinyl Acetate)
Cells	60 monocrystalline PERC cells 158.75x158.75 mm
Backsheet	Composite multilayer film
Frame	Anodized aluminium frame with mounting and drainage holes
Junction box	Certified according to IEC 62790, IP 68 approved, 3 bypass diodes
Cables	Solar cable, length 900 mm assembled with TongLing TL-CABLE01S
Maximum reverse current (Ir)	20 A
Maximum system voltage	1500 V
Mechanical load (snow)	Design load: 3600 Pa
Mechanical load (wind)	Design load: 1600 Pa
Protection Class	II - accordance to IEC 61730
Manufacturer	Made in China

Authorized Dealer

2021\_60mv\_330\_Next\_au



**FuturaSun srl**

Riva del Pasubio, 14 - 35013 Cittadella - Italy  
Tel + 39 049 5979802 Fax + 39 049 0963081  
[www.futurasun.com](http://www.futurasun.com) - [info@futurasun.it](mailto:info@futurasun.it)