



**FULL  
SQUARE**

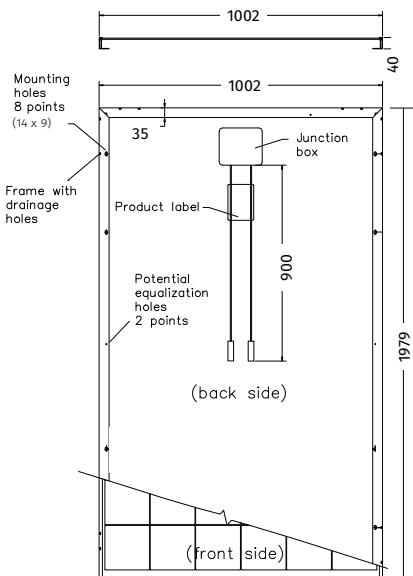
## FU 360 / 370 / 380 / 390 / 400 M NEXT

Monocrystalline Photovoltaic Module - 72 Cells

Engineered  
in Italy



CE



Note: dimensions in mm  
tolerance +/- 2 mm

### GENERAL FEATURES

- **15-year product warranty**
- **High-efficiency full square PERC cells** optimized for low irradiance, decrease ohmic losses and increase the yield
- **Increased power up to 10%** on standard dimensions
- **Higher yield at low irradiance**
- Maximum **resistance against hail** (83 km/h, 2.5 mm)
- Quality control with **electroluminescence (EL) tests** on each module

### CERTIFICATIONS

- > **IEC 61215:2016 - IEC 61730:2016 & Factory Inspection**
- > **Fire Resistance - Class C**
- > **Salt Corrosion Resistance** IEC 61701
- > **Ammonia Corrosion** IEC 62716
- > **Dust and Sand Resistance** IEC 60068-2-68
- > **PID Certified** 2 PFG 2387

NEW

### GUARANTEES

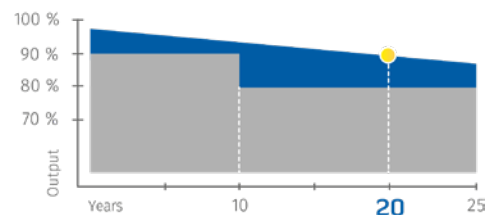
#### Performance guarantee

Max power decrease **0.5%/year**  
97% at the end of first year  
**90% at the end of 20<sup>th</sup> year**  
87% at the end of **25<sup>th</sup> year**

#### Product guarantee

**15 YEARS**

Market standard performances  
FuturaSun performances



NEW

NEW

## ELECTRICAL DATA

MODULE NEXT		FU 360 M	FU 370 M	FU 380 M	FU 390 M	FU 400 M
<i>Standard Test Conditions STC: 1000 W/m<sup>2</sup> - AM 1.5 - 25 °C - tolerance: Pmax (±3%), Voc (±4%), Isc (±5%)</i>						
Module power (Pmax)	W	360	370	380	390	400
Open circuit voltage (Voc)	V	48.34	48.94	49.51	50.09	50.63
Short circuit current (Isc)	A	9.33	9.46	9.59	9.73	9.89
Maximum power voltage (Vmpp)	V	39.86	40.37	40.88	41.37	41.81
Maximum power current (Impp)	A	9.04	9.17	9.30	9.43	9.57
Module efficiency	%	18.15	18.66	19.16	19.67	20.17

<i>Nominal Module Operating Temperature NMOT: 800 W/m<sup>2</sup> - T=45 °C - AM 1.5</i>						
Module power (Pmax)	W	264.4	271.8	279.10	286.5	293.8
Open circuit voltage (Voc)	V	44.59	45.14	45.67	46.20	46.70
Short circuit current (Isc)	A	7.67	7.78	7.89	8.00	8.13
Maximum power voltage (Vmpp)	V	36.07	36.54	37.00	37.44	37.84
Maximum power current (Impp)	A	7.33	7.44	7.54	7.65	7.76

## TEMPERATURE RATINGS

Short circuit current (Isc)	%/°C	0.037
Open circuit voltage (Voc)	%/°C	-0.266
Module power (Pmax)	%/°C	-0.366
NMOT *	°C	45
Operating temperature	°C	from -40 to +85

\*Nominal Module Operating Temperature

## MECHANICAL SPECIFICATIONS

Dimensions	1979 x 1002 x 40 mm
Weight	22.6 kg
Glass	Tempered, ARC, transparent, 3.2 mm
Cell encapsulation	EVA (Ethylene Vinyl Acetate)
Cells	72 monocrystalline cells 158.75 x 158.75 mm
Backsheet	Composite multilayer film
Frame	Anodized aluminium frame with mounting and drainage holes
Junction box	Certified according to IEC 62790, IP 68 approved, 3 bypass diodes
Cables	Solar cable, length 900 mm (1500 mm upon request) assembled with MC4-combinable plugs
Maximum reverse current (Ir)	20 A
Maximum system voltage	1000 V (1500 V on request)
Mechanical load (snow)	Design load: 2400 Pa 3600 Pa (including safety factor 1.5)
Mechanical load (wind)	Design load: 2400 Pa 3600 Pa (including safety factor 1.5)
Protection Class	II - accordance to IEC 61730

Authorized Dealer



**FuturaSun srl**

Riva del Pasubio, 14 - 35013 Cittadella - Italy  
Tel + 39 049 5979802 Fax + 39 049 0963081  
www.futurasun.com - info@futurasun.it

2020\_72m\_360-400\_Next\_en